

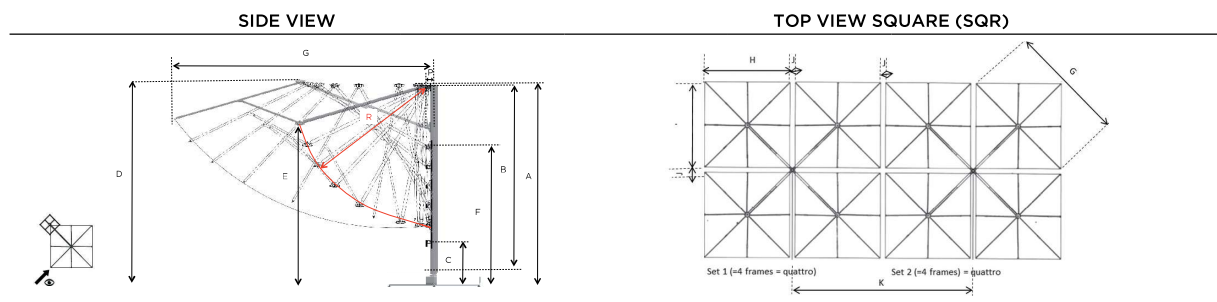
# II. Product sheets



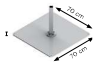



## Umbrellas

### Types

#### Product sheet P6 / SQR



FIXATION						
Steelbase	Groundanchor	Floorplate	Wall			
						
90x90 / 100x100			only for UNO/DUO			

Umbrella dimensions closed		Unit	Steelbase	Groundanchor	Floorplate	Wall
A	Closed height umbrella	cm	277 / 271	290	288	285
B	Pole height	cm	260 / 260	285	285	285
C	Closed height gliding wagon	cm	58 / 52	70	68	65
P	Pole width (length x width)	cm	10 x 10	10 x 10	10 x 10	10 x 10

Umbrella dimensions opened		Unit	Steelbase	Groundanchor	Floorplate	Wall
D	Opened height umbrella	cm	281 / 275	295	293	290
E	Running height	cm	216 / 210	230	228	225
F	Opened height gliding wagon	cm	187 / 181	198	195	194
G	Opened width diagonal	cm	350 / 350	350	350	350
R	Opening radius	cm	187 / 187	187	187	187
H	Opened width	cm	250 / 250	250	250	250
I	Opened width	cm	250 / 250	250	250	250
J	Width between 2 frames	cm	15 / 15	15	15	15
K	Center distance between 2 sets	cm	530 / 530	530	530	530

Massa / Packaging dimensions		Unit	Steelbase	Groundanchor	Floorplate	Wall
1 Frame		kg	18,2	18,2	18,2	18,2
		cm x cm x cm	215 x 26 x 21	215 x 26 x 21	215 x 26 x 21	215 x 26 x 21
1 Pole Multipole P6 2600 mm		kg	13,3	-	-	-
		cm x cm x cm	266 x 12 x 12	-	-	-
1 Pole Multipole P6 2850 mm		kg	-	15,2	15,2	15,2
		cm x cm x cm	-	295 x 12 x 12	295 x 12 x 12	295 x 12 x 12
1 Steelbase 90 x 90 cm + cover		kg	38,0	-	-	-
		cm x cm x cm	95 x 95 x 25	-	-	-
1 Steelbase 100 x 100 cm + cover		kg	44,0	-	-	-
		cm x cm x cm	107 x 107 x 25	-	-	-
1 Floorplate 70 x 70 cm		kg	-	-	39,2	-
		cm x cm x cm	-	-	72 x 72 x 2	-
1 Floorplate 70 x 50 cm		kg	-	-	31,4	-
		cm x cm x cm	-	-	72 x 52 x 2	-
1 Pole support for floorplate		kg	-	-	3,3	-
		cm x cm x cm	-	-	58 x 23 x 29	-
1 Adjustable Groundanchor		kg	-	7,3	-	-
		cm x cm x cm	-	60 x 22 x 28	-	-
1 Wall bracket (2 pieces)		kg	-	-	-	2,2
		cm x cm x cm	-	-	-	27 x 17 x 16