

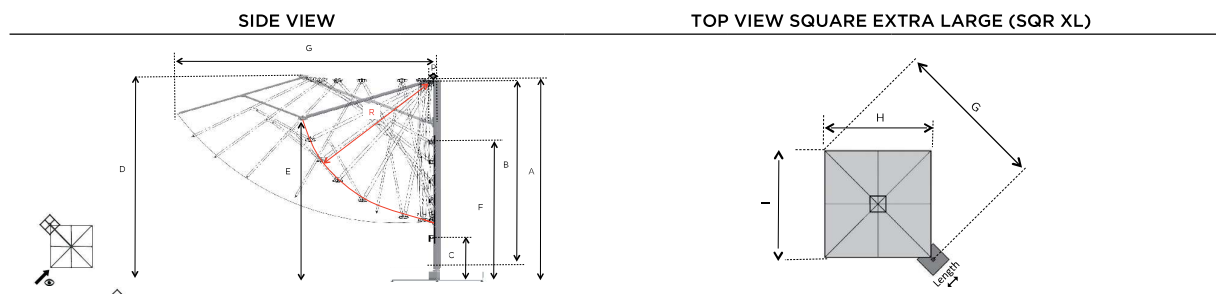
II. Product sheets

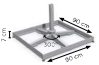

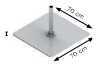



Umbrellas

Types

Product sheet P7 / SQR-XL



FIXATION					
	Steelbase	Groundanchor	Floorplate	Wall	
					
	100x100				

Umbrella dimensions closed		Unit	Steelbase	Groundanchor	Floorplate	Wall
A	Closed height umbrella	cm	296	290	-	-
B	Pole height	cm	285	285	-	272
C	Closed height gliding wagon	cm	40	34	-	15
P	Pole width (length x width)	cm	9,5 x 7,5	9,5 x 7,5	-	9,5 x 7,5

Umbrella dimensions opened		Unit	Steelbase	Groundanchor	Floorplate	Wall
D	Opened height umbrella	cm	300	294	-	276
E	Running height	cm	225	220	-	202
F	Opened height gliding wagon	cm	197	191	-	178
G	Opened width diagonal	cm	425	425	-	425
R	Opening radius	cm	227,5	227,5	-	227,5
H	Opened width	cm	300	300	-	300
I	Opened width	cm	300	300	-	300

Massa / Packaging dimensions		Unit	Steelbase	Groundanchor	Floorplate	Wall
1 Frame		kg	22,2	22,2	-	22,2
		cm x cm x cm	250 x 26 x 21	250 x 26 x 21	-	250 x 26 x 21
1 Pole Single pole P7 2600 mm		kg	-	-	-	-
		cm x cm x cm	-	-	-	-
1 Pole Single pole P7 2850 mm		kg	15,2	15,2	-	-
		cm x cm x cm	295 x 12 x 12	295 x 12 x 12	-	-
1 Pole Single pole P7 2720 mm		kg	-	-	-	9,8
		cm x cm x cm	-	-	-	276 x 11 x 11
1 Steelbase 90 x 90 cm + cover		kg	-	-	-	-
		cm x cm x cm	-	-	-	-
1 Steelbase 100 x 100 cm + cover		kg	44,0	-	-	-
		cm x cm x cm	107 x 107 x 25	-	-	-
1 Floorplate 70 x 70 cm		kg	-	-	-	-
		cm x cm x cm	-	-	-	-
1 Floorplate 70 x 50 cm		kg	-	-	-	-
		cm x cm x cm	-	-	-	-
1 Pole support for floorplate		kg	-	-	-	-
		cm x cm x cm	-	-	-	-
1 Adjustable Groundanchor		kg	-	7,3	-	-
		cm x cm x cm	-	60 x 22 x 28	-	-
1 Wall bracket (2 pieces)		kg	-	-	-	2,3
		cm x cm x cm	-	-	-	27 x 17 x 16