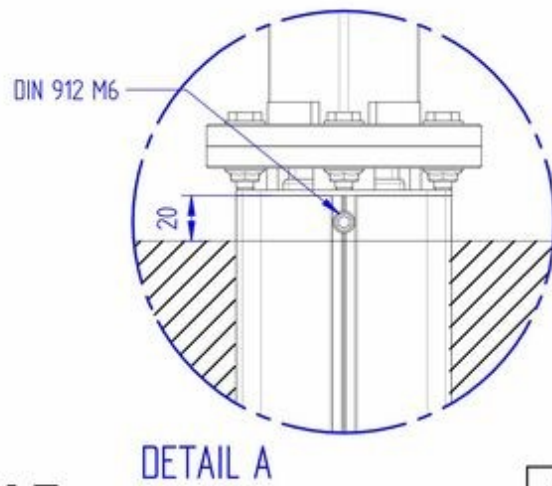
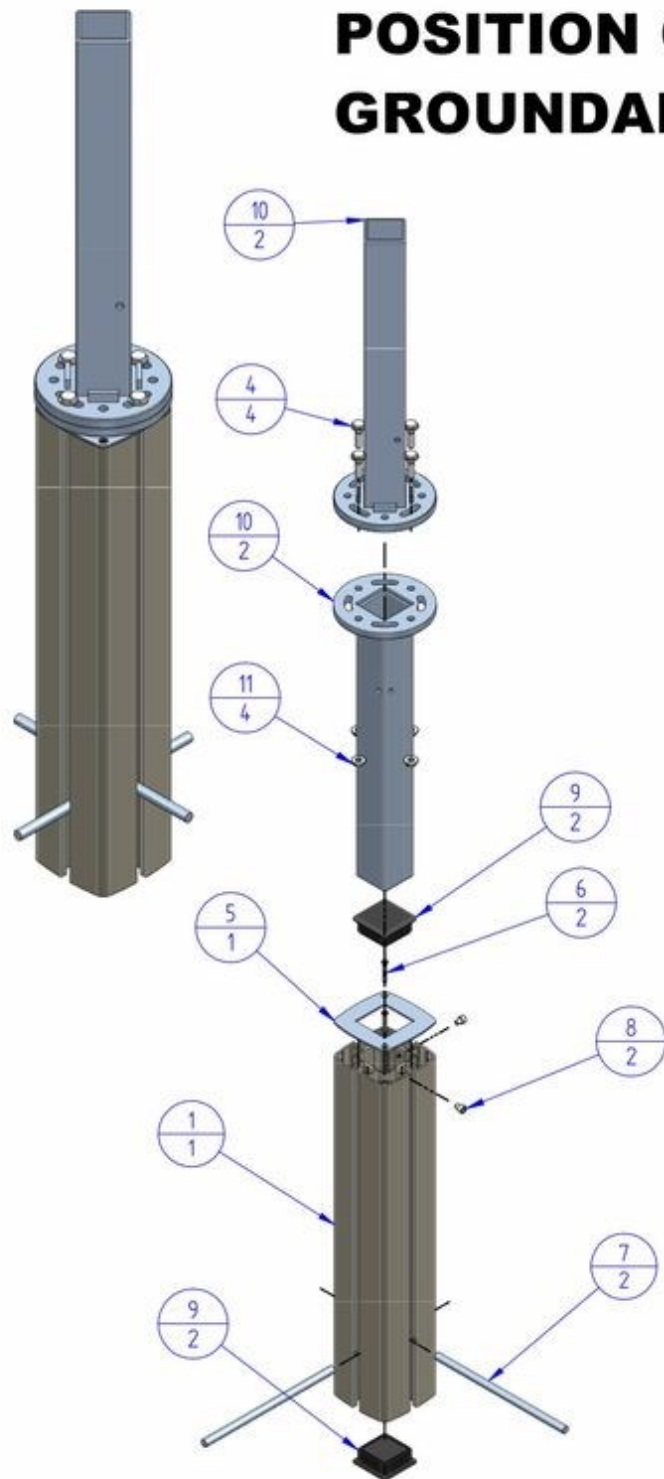
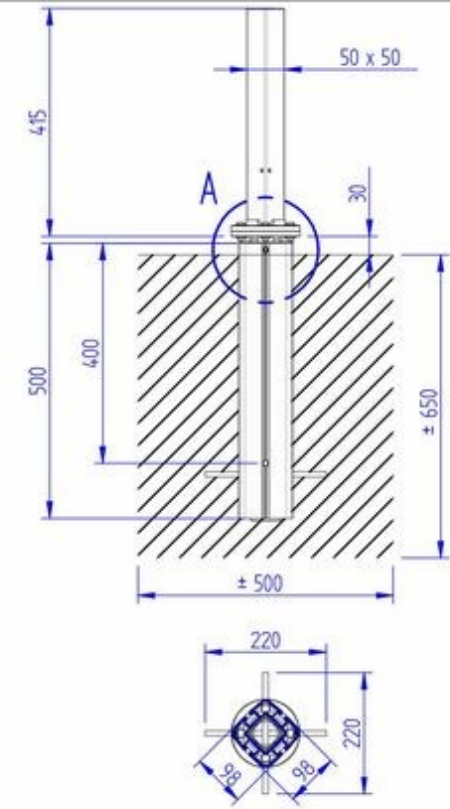
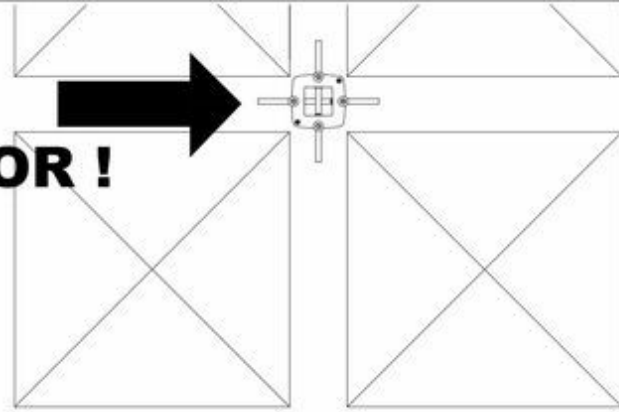
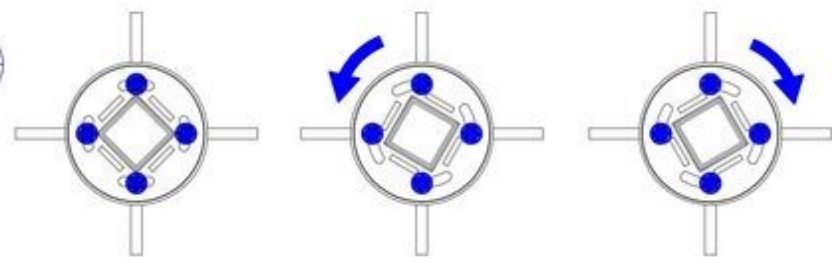


# POSITION OF GROUNDANCHOR !



## ADJUSTABLE 15° LEFT - 15° RIGHT



Nr.	Doc. Nr.	Title	Art. nr.	Qty.
1	P5213	Operation Groundanchor	5000998	1
4	standard	Bolt DIN6921 M8x30	0600612	4
5	P5040	Cover groundanchor	04 00 193	1
6	standard	DIN 7982 4.2 x 32	0600138	2
7	P4213	draadstang M10	06 00 292	2
8	standard	DIN 912 M6 x 8	0600222	2
9	standard	Dop 50 x 50	05 00 215	2
10	P5130	Pole support - adjustable	5001049	2
11	standard	Nut with flange M8	0600613	4

**PROSTOR**  
PARASOLS

BRUTSAERT TRADING bvba  
Lourdesstraat 84 - B-8940 Geluwe - BELGIUM  
Tel. +32(0)56 26 56 56 - Fax. +32(0)56 20 01 35  
info@prostor.be www.prostor.be

**P6 / P6 XL / P8**  
GROUNDANCHOR ADJUSTABLE

Art. Nr. : - Tek. Nr. : P5507-03